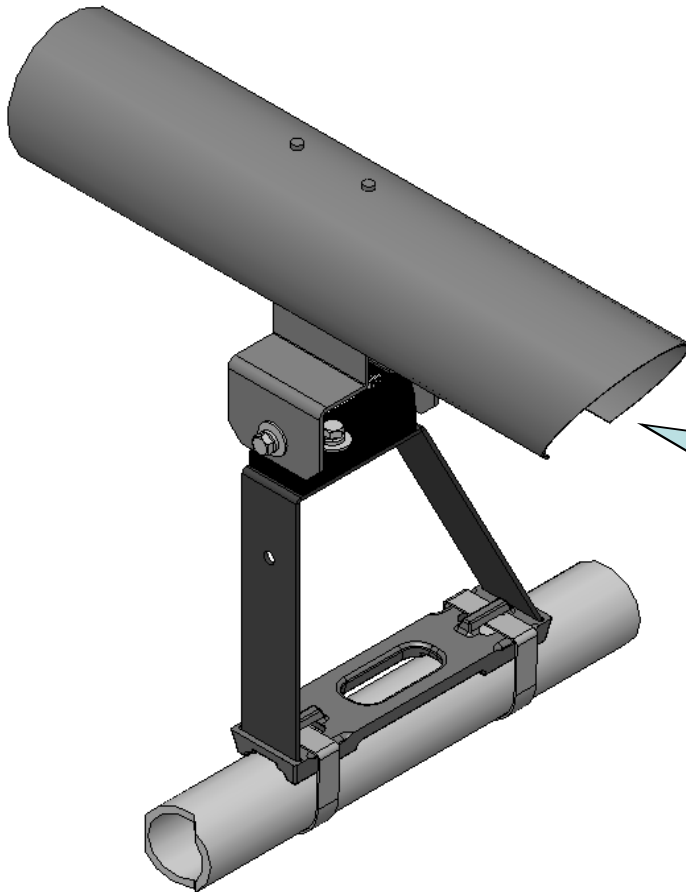


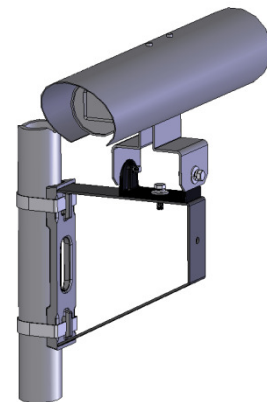
CAMERA & VIDEO DETECTION MOUNTING SYSTEMS



STANDARD CAMERA MOUNT SB-CM

QUICK
COST EFFECTIVE
FULLY ADJUSTABLE
COMPLETE with BANDING
MADE IN USA

The Standard Camera Mount mounts directly to any mast arm, luminary, or extrusion. It provides approximately 12" lift and is completely adjustable. Preassembled with stainless band and all necessary hardware. Mounts to most all OEM cameras. Adapter bracket needed for Quixote & Peek style cameras (see pg. 14).



**VERTICAL OR HORIZONTAL
INSTALLATION**

See Page 21 for options, pricing, and order information

OLSON ALUMINUM CASTINGS P.O. BOX 6106 ROCKFORD, IL 61125 PHONE 815-229-3292 FAX 815-229-7082
REV 1

Pg 12