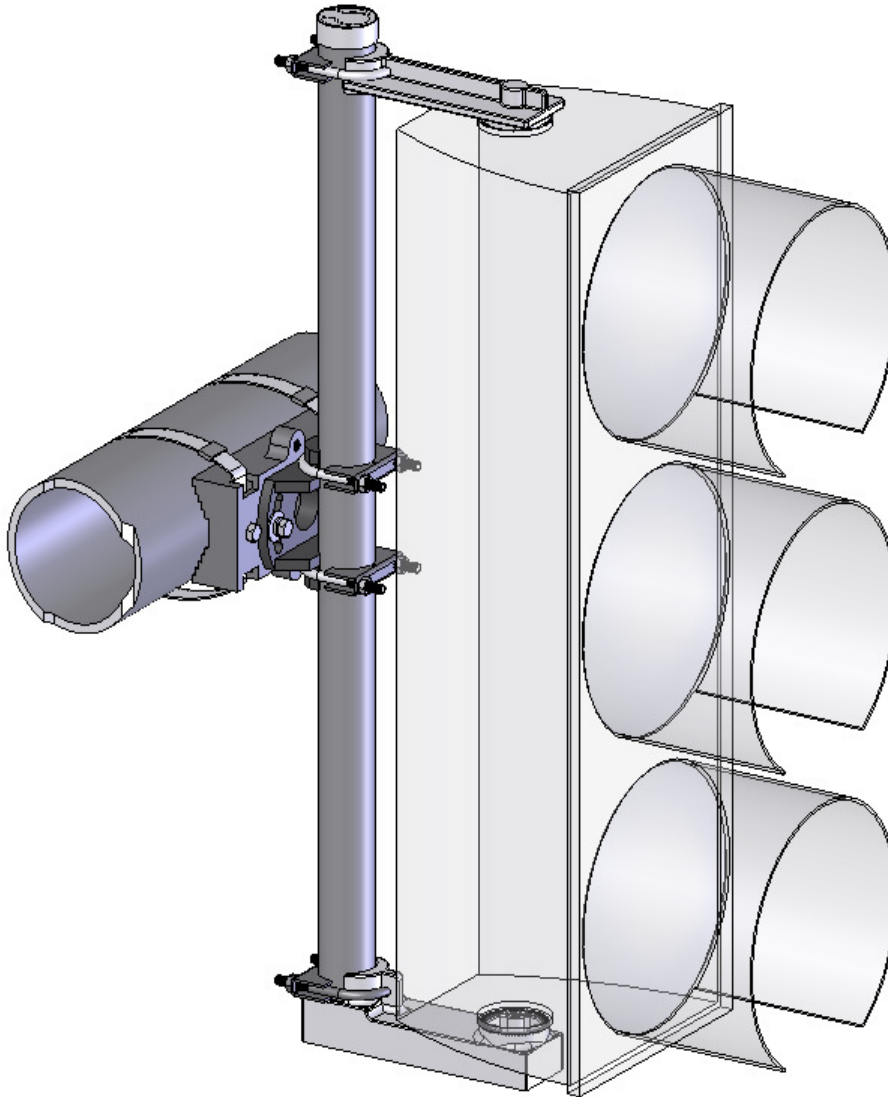


SKY BRACKET

Covered by one
or more U.S.
Patents Patent
4,860,985

® SIGNAL MAST ARM MOUNTING KITS



STD 3 SECTION SB29-46

(Also available in 4 and 5
section)

See Page 15 for options, pricing, and order
information

OLSON ALUMINUM CASTINGS P.O. BOX 6106 ROCKFORD, IL 61125 PHONE 815-229-3292 FAX
815-229-7082 REV 1

Pg 5

mobotrex[™]
MOBILITY & TRAFFIC EXPERTS