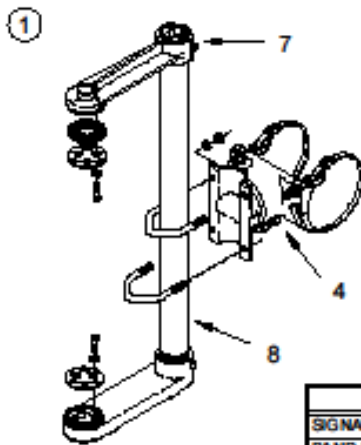


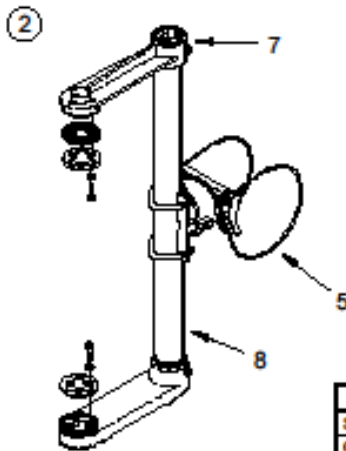
The Astro-Brac in its various configurations is a truly universal system for mounting signals.

The Astro-Brac is designed to facilitate the mounting of any size or combination of signals to any size of mast arm or pole. This complete adjustability is not possible with other types of rigid mountings.

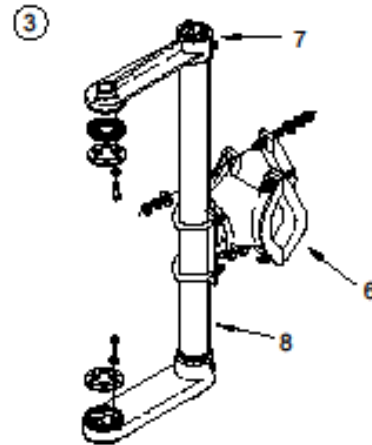
ITEM	DESCRIPTION	PART NO.
ASTRO-BRACASSY:		
①	1-Way Band Mount	AB-0116
②	1-Way Cable Mount	AB-0125
③	1-Way Tenon Mount	AB-0137
ASTRO-BRAC CLAMP KIT:		
4	Band Mount	AB-3004
5	Cable Mount	AB-3009
6	Tenon Mount	AB-3010
7	ARM KIT, 8½" CTC	AB-4000
8	GUSSETED TUBE, w/ Vinyl Insert, 1½" Alum TOE	AB-2003



OPTIONS
SIGNAL SECTION: 1, 2, 3, 4, or 5
BAND LENGTH: 29", 38", 42", 48", or 58"
STAINLESS UPGRADE
PAINT



OPTIONS
SIGNAL SECTION: 1, 2, 3, 4, or 5
CABLE LENGTH: 62", 84", or 96"
PAINT



OPTIONS
SIGNAL SECTION: 1, 2, 3, 4, or 5
PAINT

Notes:

1. All assemblies are supplied standard with stainless fasteners and natural aluminum anodine coating. Stainless upgrade to include stainless steel clamp screw where applicable.
2. See pages T1-8 thru T1-14 for clamp kit pole diameter options.
3. Most assemblies are available with Stellar Series Clamp Kits. To order use prefix AS with part number.
4. Please specify options when ordering.