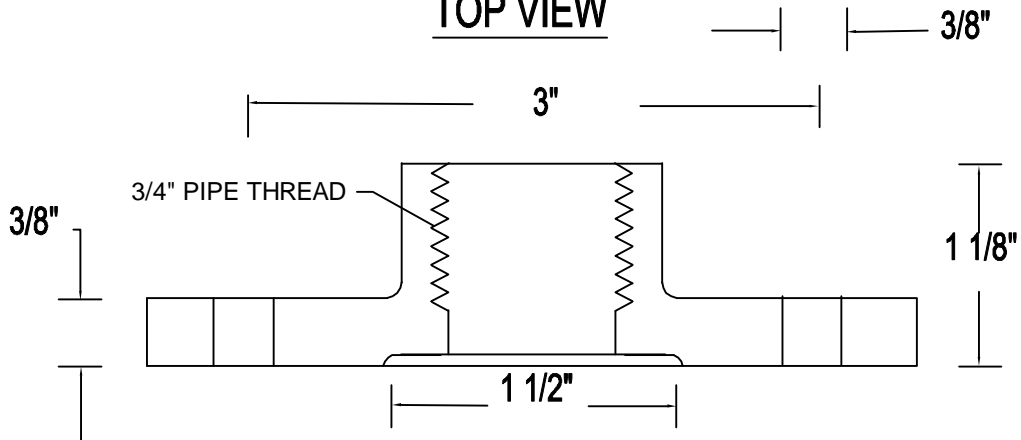
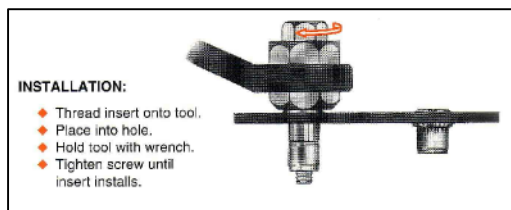
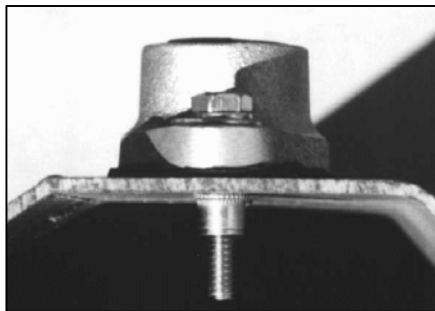
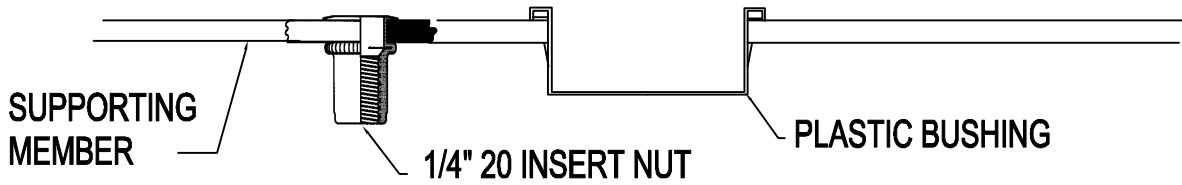


TOP VIEW



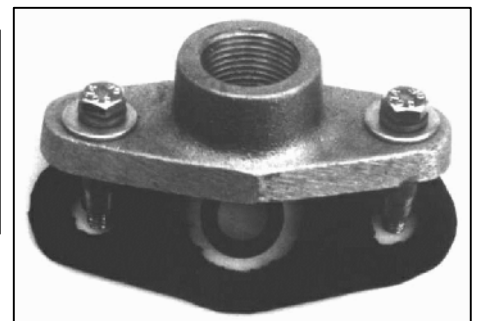
SECTION AA



INSTALLATION:

- Thread insert onto tool.
- Place into hole.
- Hold tool with wrench.
- Tighten screw until insert installs.

INSERT NUT INSTALLATION WITH
WT 1/4" 1/4" WRENCH TOOL



KBR 3/4" PIPE THREAD HUB SUPPLIED HARDWARE

HARDWARE MEETS OR EXCEEDS STATE SPECIFICATIONS


- | | |
|--|--------------------------|
| (1) 11KBR 3/4" PT HUB ALUMINUM CASTING | (2) 1/4" INSERT NUT |
| (1) HOLE TEMPLATE | (1) GASKET |
| (2) 1/4" BOLT | (2) 3/4" PLASTIC BUSHING |
| (2) 1/4" SPRING LOCK WASHER | |

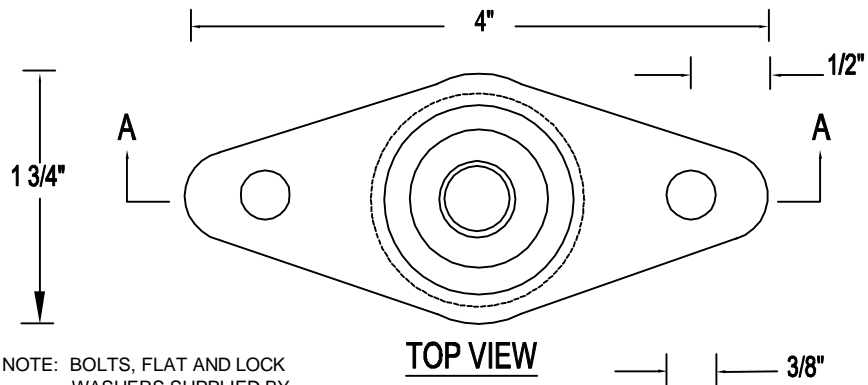
NOTE: INSERT NUTS MUST BE
INSTALLED WITH A
INSERT NUT SETTING TOOL.
AVAILABLE SEPARATELY.

APPLY ANTI-SEIZE LUBRICANT TO ALL THREADED SURFACES.

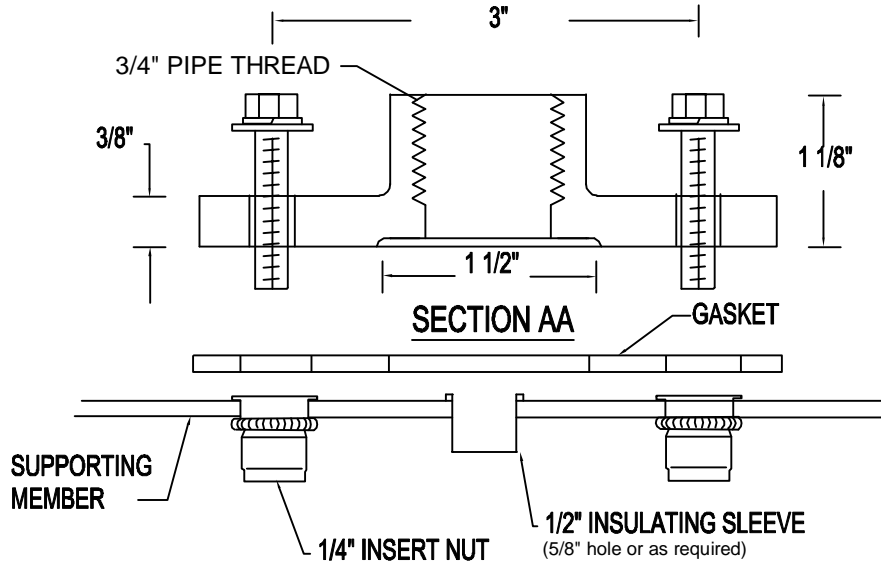
NOT TO SCALE

NOTE: ALSO AVAILABLE FOR 1" THREAD , SEE DWG 15.1

 www.FreyMfgCorp.com Made in USA Patent Pending Phone: 952-467-4402	KBR - 3/4" PIPE THREAD HUB	DATE	DWG. NO.	REV.
		09-30-99	15	1



NOTE: BOLTS, FLAT AND LOCK WASHERS SUPPLIED BY MANUFACTURER.

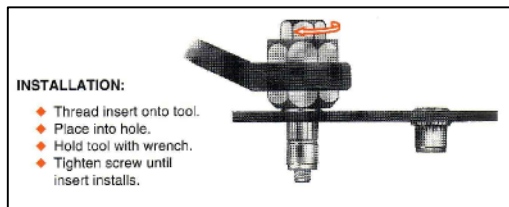
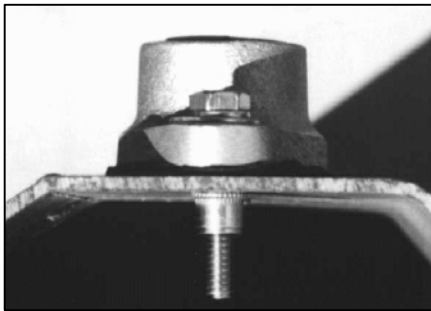


KBR-AOB 3/4" PIPE HUB W 1/2" SLEEVE
HARDWARE MEETS OR EXCEEDS STATE SPECIFICATIONS

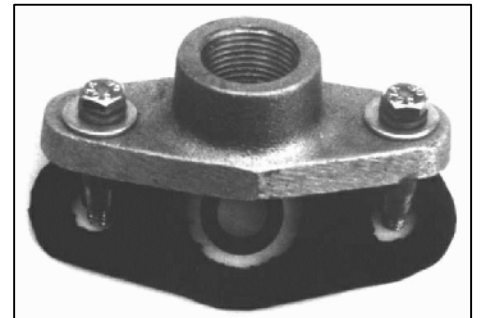
- (1) KBR 3/4" PIPE THREAD HUB ALUMINUM CASTING
- (1) KBR GASKET
- (2) IN1/4 1/4" INSERT NUT
- (2) 1/4-20 X 1 1/4" 18-8 HEX BOLT
- (2) 1/4" 18-8 SPRING LOCK WASHER
- (2) 1/4" 18-8 FLAT WASHER
- (2) 1/2" INSULATING SLEEVE
- (1) HOLE TEMPLATE

NOTES: INSERT NUTS MUST BE INSTALLED WITH AN INSERT NUT SETTING. AVAILABLE SEPARATELY.

APPLY ANTI-SEIZE LUBRICANT TO ALL THREADED SURFACES.



INSERT NUT INSTALLATION WITH
WT 1/4" 1/4" WRENCH TOOL



NOT TO SCALE

FREY
Manufacturing Corp.
www.FreyMfgCorp.com
Made in USA
Patent Pending Phone: 952-467-4402

**KBR-AOB - 3/4" PIPE THREAD HUB w 1/2" SLEEVE
FOR AIR OBSTRUCTION FIXTURE MOUNTING**

DATE
12-16-13

DWG. NO.

15.1.1

REV.

-