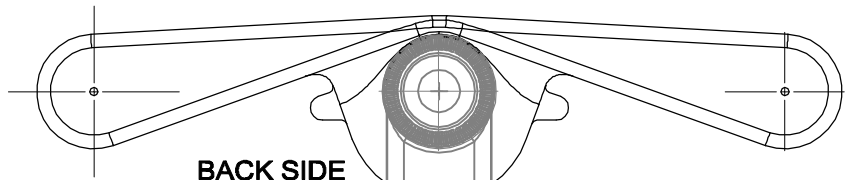
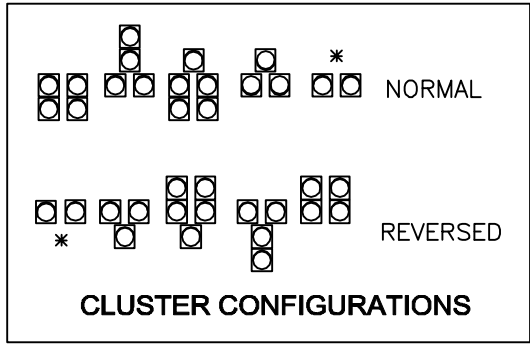


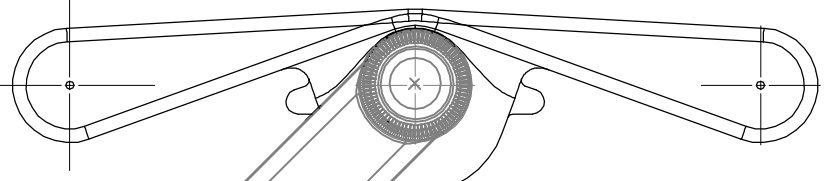
FRONT (TRAFFIC) SIDE



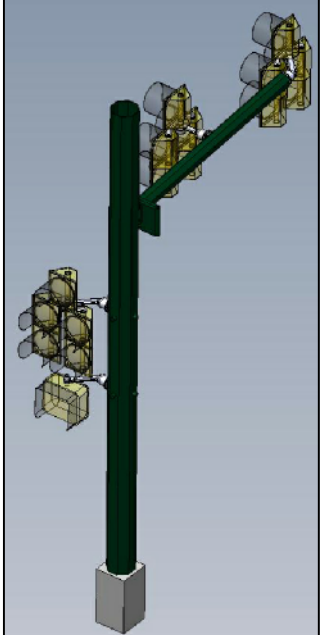
BACK SIDE

SEE DWG. 9.3.1 FOR PARTS LIST AND WEEP HOLE INSTRUCTIONS.

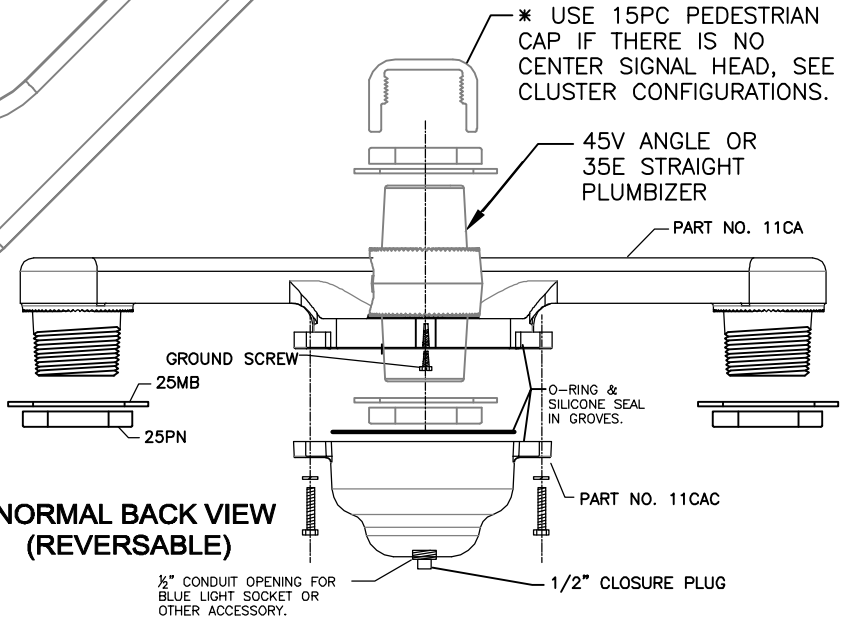
FRONT (TRAFFIC) SIDE



BACK SIDE

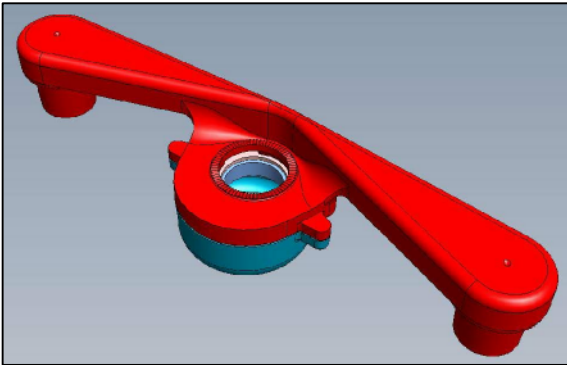


NOTE: WHEN POLE MOUNTING CLUSTER ADAPTER USE 45BE EXTENDED THREADED POLE ADAPTER, SEE DWG. 18.1.

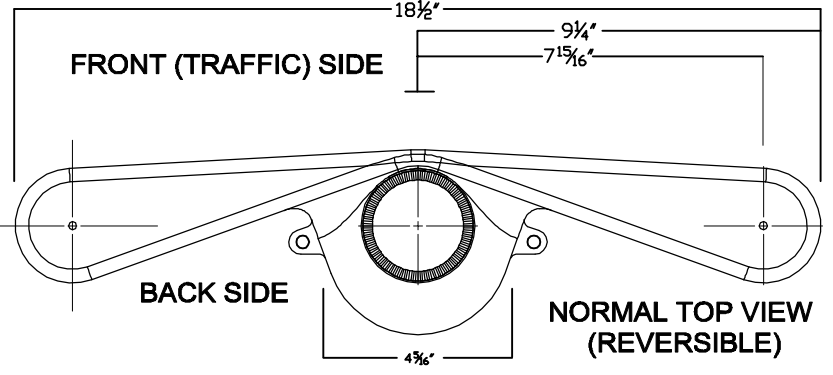


NORMAL BACK VIEW (REVERSABLE)

1/2" CONDUIT OPENING FOR BLUE LIGHT SOCKET OR OTHER ACCESSORY.



NORMAL ISOMETRIC TOP VIEW



FRONT (TRAFFIC) SIDE

BACK SIDE

NORMAL TOP VIEW (REVERSIBLE)

1' ADJUST TO SCALE