

Eagle Size R NEMA Size 7 Traffic Cabinet DATA SHEET

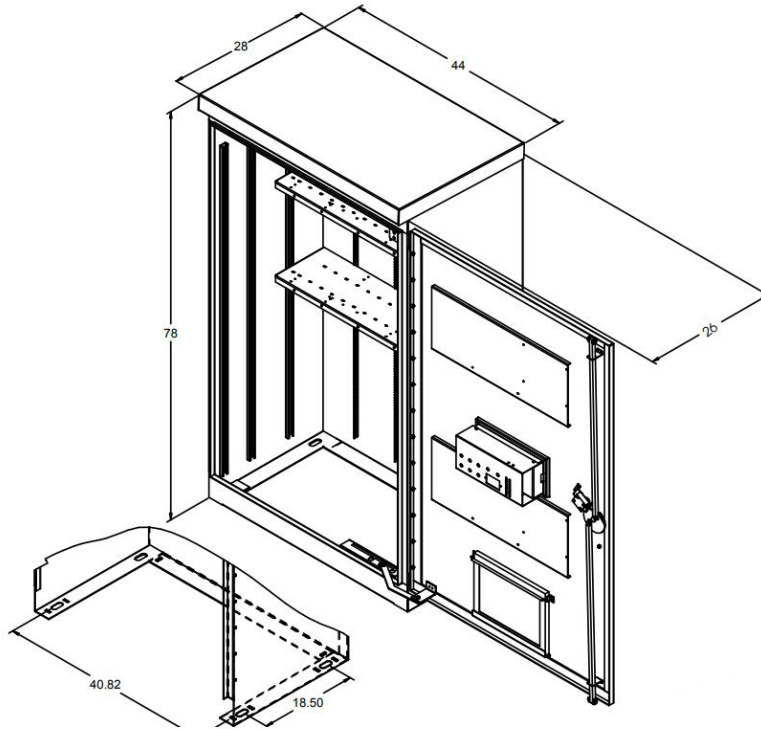


DESCRIPTION

The Eagle Size R NEMA Size 7 Traffic Cabinet protects electronic components including controllers and other equipment. It features an aluminum enclosure for protection from all forms of outdoor natural elements, including rain, sleet, and snow, as well as seepage and splash.

OPTIONAL CONFIGURATIONS

- › Outward-rotating door handle
- › Double-flanged door frame to provide a better splash shield
- › Continuously welded enclosure for maximum protection from contaminants
- › Unique lock/keying combinations
- › Custom finish per customer requirements
- › Lifting ears
- › Two (2) shelves included



DIMENSIONS

78" H x 44" W x 26" D

STANDARD ENCLOSURE SPECIFICATIONS

Completely fabricated from .125"-thick type 5052-H32, mill-finished aluminum utilizing intermittently welded construction, subsequently weatherproofed with silicone sealant.

Internal attaching components include four (4) adjustable "C" mounting channels (2 per side), and two (2) slotted rails on rear wall for attaching equipment panels.

The door opening is double-flanged on top to prevent water drops when the door is open. The opening also includes a mount for two door-operated switches.

Thermoconvection air ventilation system utilized with provisions for mounting fan for forced-air cooling.

Exhaust outlet openings are provided under the roof over-hang.

All internal and external hardware is fabricated from non-corrosive material.

STANDARD DOOR SPECIFICATIONS

Provided with three-point locking mechanism with nylon rollers at the top and bottom.

3/4" diameter stainless steel outward turning handle with provisions for padlocking.

Main door lock – industrial standard pin tumbler lock with #2 key.

Louvered inlet with filter to prevent dirt from entering with air flow.

Closed-cell PVC door seal gasket with polyester film used to prevent sticking.

Heavy gauge stainless steel continuous hinge utilizing a 1/4" diameter stainless steel hinge pin for door support, carriage bolted in place, for ease of door removal.

A 2" deep, fabricated switch compartment is included with a standard police lock and 18-gauge stainless steel continuous hinge with a 1/8" diameter hinge pin riveted in place. Compartment is mounted flush to the door.

Automatic door stop to hold main door open at 90°, 120° and 135°.

ORDERING INFORMATION

EL720 – Base Mount

Order 1 (set of 2) Anchor Bolts, UA243, if required.

Order 2 Pole Mount Brackets, UL26, if required.